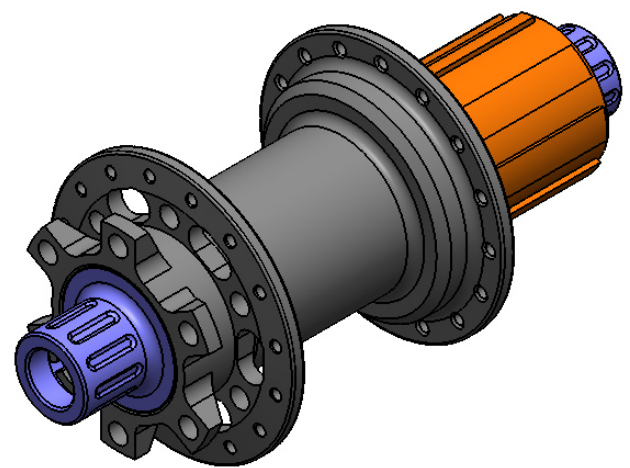


Num. articolo	Num. parte	Descrizione	Quantità
1	CR-001.002	GHIERA 60 DENTI SP7	1
2	MTB-001.401	RUOTA LIBERA SHIMANO 4 ING	1
3	CR-001.001	CRICCHETTO DOPPIO DENTE	4
4	MTB-001.001	CORPO MOZZO POST 32	1
5	CR-001.006	CUSC 6803 26X17X5 2RS EZO	1
6	CR-001.005	CUSC 6903 30X17X7 2RS EZO	2
7	CR-001.004	CUSC 63803 27X17X7 2RS EZO	1
8	MTB-001.301	DIST. MOZZO INTERNO L48.5	1
9	MTB-001.302	DIST. CASSETTA INTERNO L19.5	1
10	MTB-001.303	DIST. CASSETTA EST. L10.7	1
11	MTB-001.004	CORPO MOZZO POST 32	1
12	MTB-001.101	CAP POST. LATO DISCO PASS 12	1
13	MTB-001.107	CAP POST LATO CASSETTA SRAM P.12	1
14	CR-001.003	OR NBR Ø44 2MM	1
15	CR-001.007	MOLLA CRICCHETTO	4



Firma/Signature		Data/Date	Scala/Scale	Formato/Size	Materiale/Material Descrizione:.
Disegnato Drawn	Longo	11/04/2017	1:2	A3	Denominazione/Title MOZZO POSTERIORE MK1 SHIMANO
		Metric format: unless otherwise specified, dimensions are in millimeters, dimensions between [ ] are in inches			Codice/Code
		Unless otherwise specified tolerances references: UNI EN 22768/1 m - UNI EN 22768/2 K			Rev. A
This document is proprietary to Damil Component S.r.l. and shall not be used or disclosed to others without the written authorization of Damil Component S.r.l.					MZ-001.001