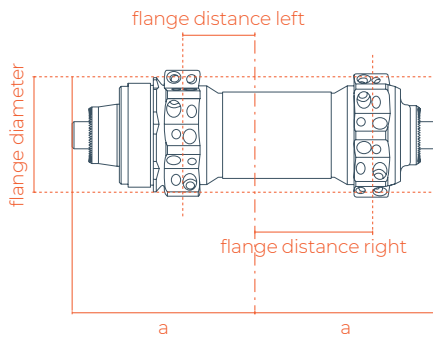


Model Position Left (mm) Right (mm)

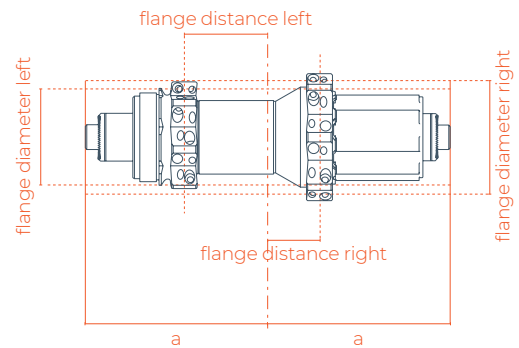
### STRAIGHT PULL

flange distance	front	22,00	32,00
	rear	35,40	13,20
flange diameter	front	22,00	22,00
	rear	22,00	56,00
offset	front	0,00	0,00
	rear	0,00	0,00

front



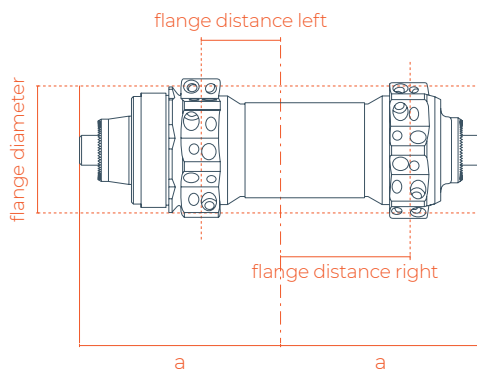
rear



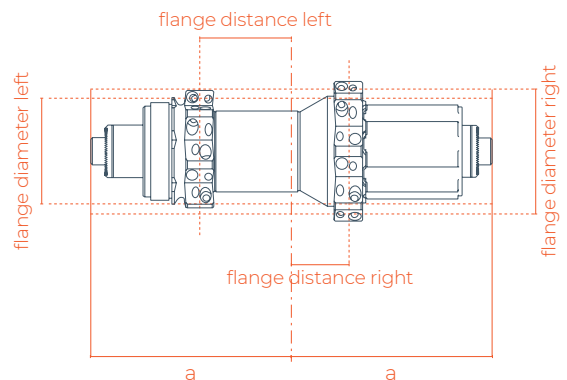
### STRAIGHT PULL BOOST

flange distance	front	27,00	37,00
	rear	38,40	16,30
flange diameter	front	22,00	22,00
	rear	22,00	56,00
offset	front	0,00	0,00
	rear	0,00	0,00

front



rear

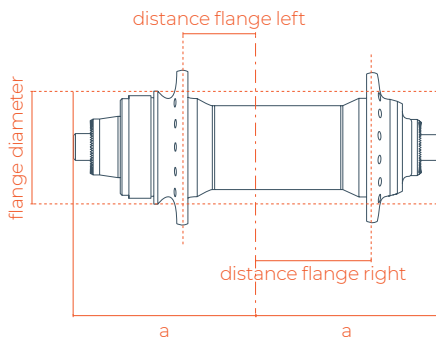


Model Position Left (mm) Right (mm)

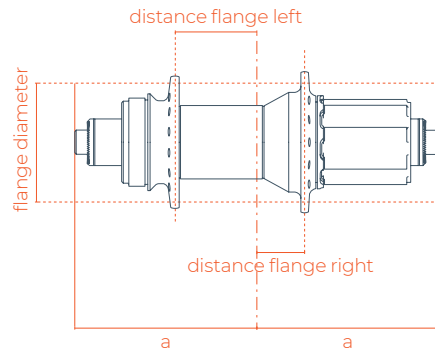
## J-HOOK

flange distance	front	24,00	31,50
	rear	36,60	18,35
flange diameter	front	57,00	57,00
	rear	57,00	57,00
offset	front	2,50	2,50
	rear	2,50	2,50

front



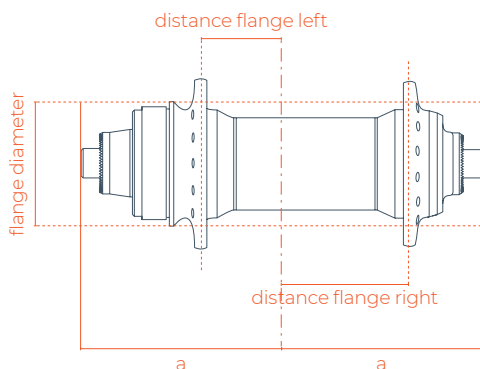
rear



## J-HOOK BOOST

flange distance	front	29,00	36,50
	rear	39,55	21,40
flange diameter	front	57,00	57,00
	rear	57,00	57,00
offset	front	2,50	2,50
	rear	2,50	2,50

front



rear

