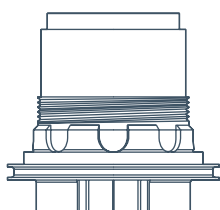


Freehub replacement manual **Sram XD** e **Shimano 11HG**.

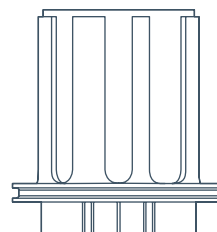
What you need: Freehub Sram XD/Shimano 11HG, 19mm socket wrench.
Processing time: 10min.

Freehubs

Sram XD



Shimano 11HG



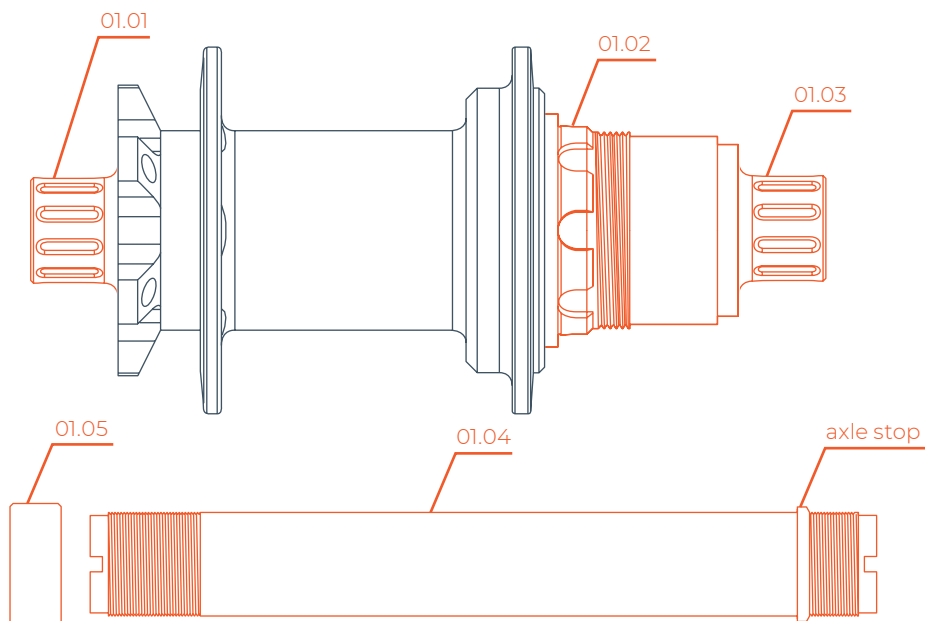
Damil MTB Hubs

Pieces to be dismantled

- 01.01 Left adapter (disc side)
- 01.02 Freehub
- 01.03 Right adapter (freehub side)
- 01.04 Axle
- 01.05 Spacer

Pieces to be replaced

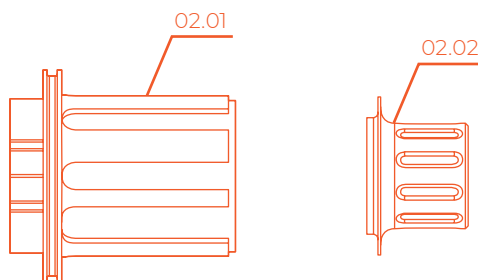
- 01.02 Freehub
- 01.03 Right adapter (freehub side)



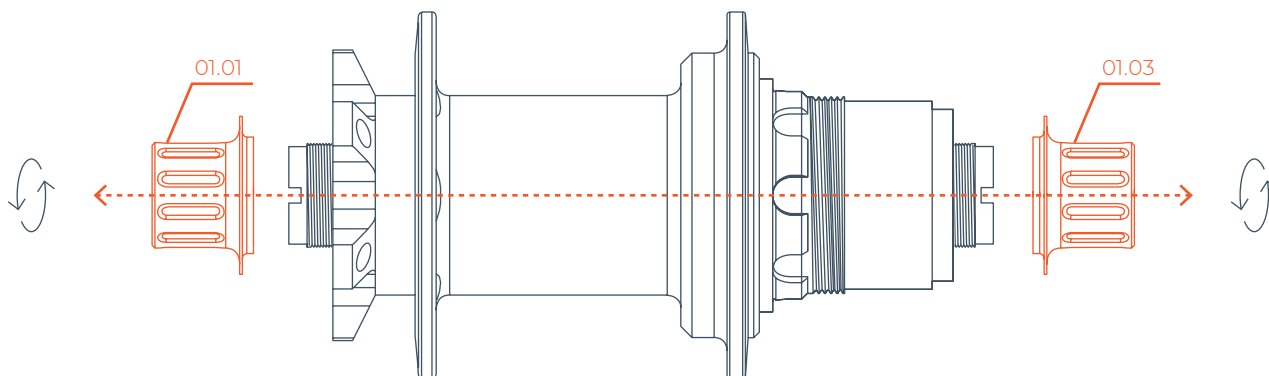
New equipment

Pieces to be replaced

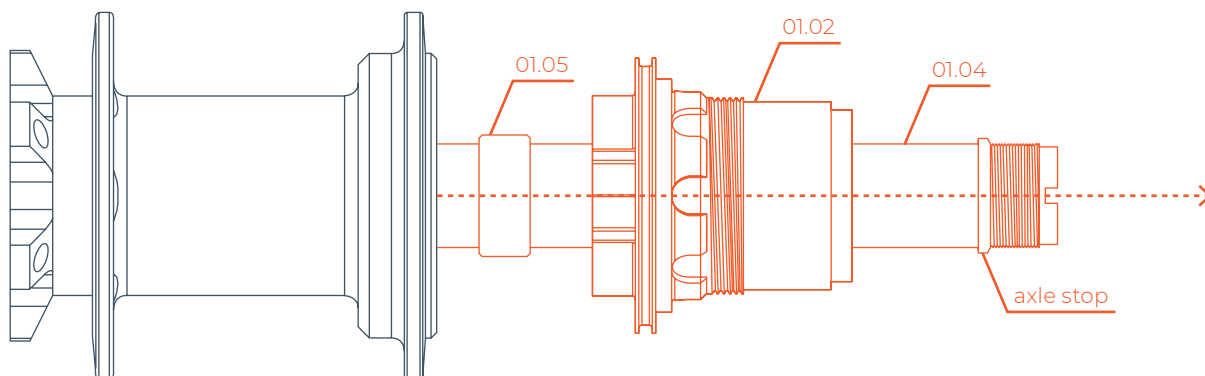
- 02.01 Freehub
- 02.02 Right adapter



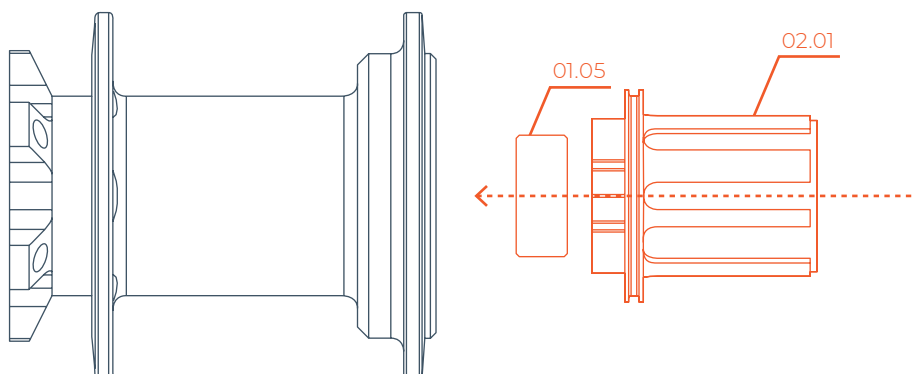
- 01.** Unscrew the two **adapters (01.01 - 01.03)**, with a 19mm diameter socket wrench from their seats. If an adapter does not unscrew, use the cut on the axle to block the rotation and facilitate the loosening of the adapter.



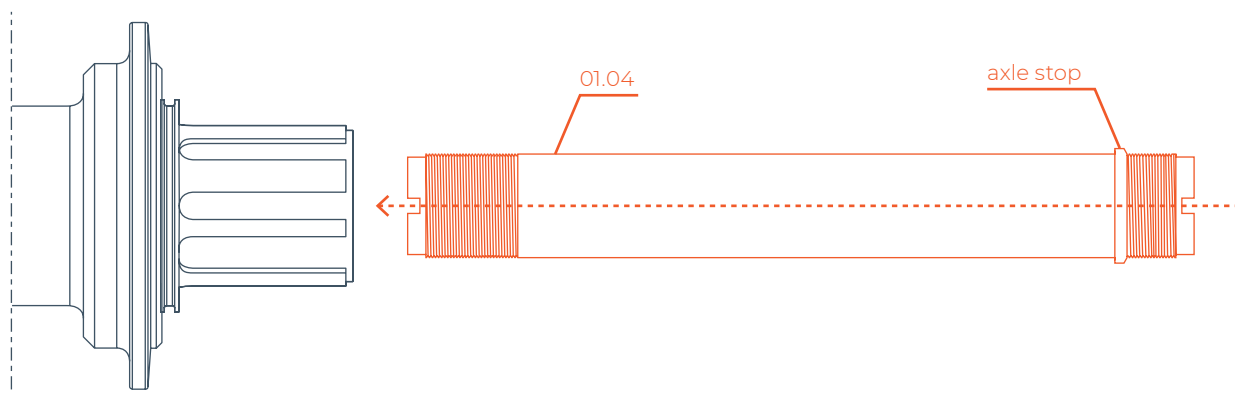
- 02.** Remove the **axle (01.04)**, the **freehub (01.02)**, and the **spacer (01.05)**. Partly store: right adapter (01.03), and the freehub (01.02). These pieces will be replaced during the installation of the new freehub.



- 03.** Insert the **spacer (01.05)**, and the **freehub (02.01)**, in its seat inside the hub.



04. Reinsert the **axle (01.04)**, inside the hub.



05. Screw the **right adapter (02.02)**, and the **left adapter (01.01)**, on the axle. Close both adapters with a 19mm socket wrench, fix maximum 10Nm.

